

## SPOTLIGHT

**TRADELIKE**

# Vaccus

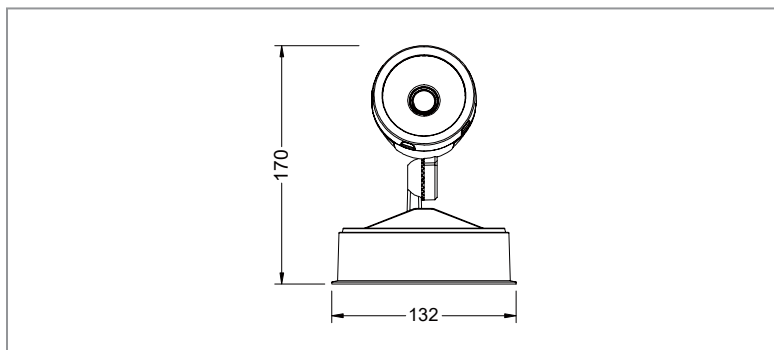
Single Spotlight



### FEATURES

- IP65 weatherproof
- Polycarbonate body
- Quick fit - no electrician required for replacement
- Ceiling and wall mount
- Constant current driver
- Non-dimmable
- Tri-colour 3000k/4000k/5700k - switchable
- COB chip
- Internal aluminium heat sink
- Black and white finishes available
- Rear centre cable entry - double insulated

### DIMENSIONS



### SPECIFICATIONS

|                 |             |
|-----------------|-------------|
| Order Code      |             |
| - Black         | V301B       |
| - White         | V301W       |
| Model Number    |             |
| - Black         | TLBA3013M   |
| - White         | TLBA3013W   |
| Input Voltage   | 240v        |
| Wattage         | 13w         |
| Lumen Output    | 850lm       |
| IP Rating       | IP65        |
| Beam Angle      | 120°        |
| Fitting Colour  | Black/white |
| Dimming Option  | No          |
| Dimensions (mm) | 132x170     |
| Weight          | 0.56kg      |