

EMERGENCY DOWNLIGHTS



Ufofire

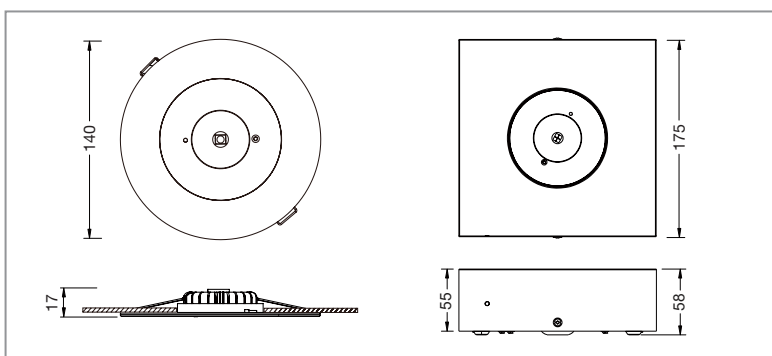
Emergency LED Downlights - Black



FEATURES

- Low power consumption
- 50,000hr LED - energy efficient, long life
- Quick fit bracket for fast ceiling and wall mount
- Easy testing and maintenance
- Non-maintained
- 3 hour discharge
- 3 year warranty
- 1.2m flex and plug (recessed only - surface mounted hard-wired)
- Designed and manufactured to AS/NZS2293.3

DIMENSIONS



SPECIFICATIONS

	Recessed	Surface Mount
Order Code	E6030B	E6030SB
Model Number	LWUF6030B	LWUF6030SB
Input Voltage	240v	
Wattage	3w	
Construction	Polycarbonate body with aluminium heat sink	
Mounting	Recessed and surface mounted	
Operating Mode	Maintained	
Testing System	Manual	
Battery	Lithium 2200mAh 3 hour discharge	
AS2293 Classification	D40	
Applicable Standard	AS/NZS2293.3	
Operating Temp	1°C to 40°C	
Dimensions (mm)	140x17	175x58
Weight	0.45kg	0.93kg