

# LED SMART CAMERA/LIGHT

TRADELIKE

## Lin

### Twin Spotlight with Camera & Sensor

Protect your home with the smart camera sensor light, featuring one-way or two-way talk & siren alarm.



Tri-colour



SAA



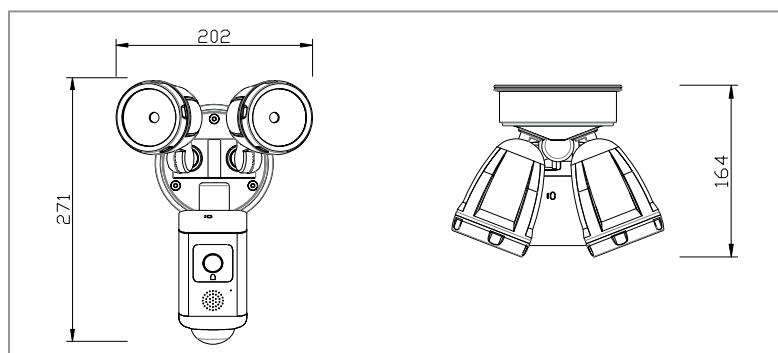
RA >80



### FEATURES

- IP65 weather resistant - Polycarbonate body
- Quick fit - No electrician required for replacement
- HD resolution 1080P (FHD) camera - record live video directly to your phone via the Tuya App
- Advanced PIR motion sensor detection identifies slight changes in movements and sends a notification to your phone
- 140° viewing detects motion around corners and monitors all your blind spots
- Built-in infrared night vision and lux photocell
- Built-in memory card supports up to 128GB SD card (not included)
- Customisable motion zones

### DIMENSIONS



### SPECIFICATIONS

Order Code	S812B
Model Number	TLL12004VS
Input Voltage	Hardwire 240v/50Hz
Wattage	2 x 13w
Lumens	1700lm
Beam Angle	120°
Operating Temp	-15°C to +45°C
Dimensions(mm)	271x202x164
Weight	1.5kg
Connectivity	WiFi connection @ 2.4Ghz
Colour Temp	3000K/4000k/5700k switchable
Video	Live view Night vision
Field of View	140° horizontal
Audio	Two-way with noise cancellation
PIR Detect Distance	10m 240°
Night Vision Distance	Up to 8m
Light Time on	Adjustable