

## EXIT LIGHTING

# Rambo

Slimline Universal LED Exit Light Black



Emergency



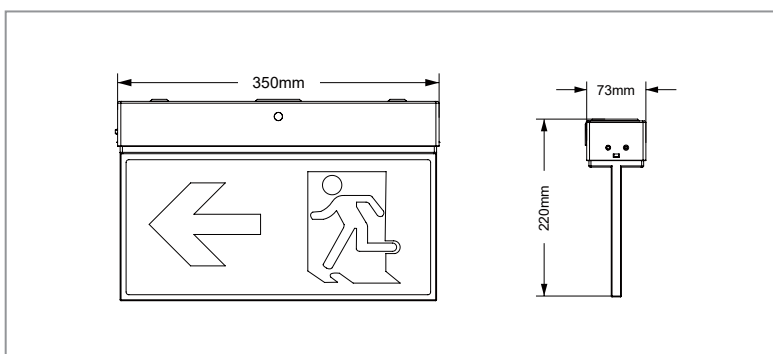
SAA



## FEATURES

- Low 3w standby power consumption
- Comes with both single and double sided decals in running man "Pictograph" and the "EXIT" decal
- Large terminal block & cable entry
- Polycarbonate body with transparent acrylic blade
- Wall, ceiling single-sided & ceiling double-sided mount
- Maintained
- Manual test switch
- 2200mAh lithium battery technology
- Designed and manufactured to AS/NZS2293.3

## DIMENSIONS



## SPECIFICATIONS

Order Code	E1611B
Model Number	LWRE161B
Input Voltage	240v
Construction	Polycarbonate body with transparent acrylic blade
Mounting	Ceiling and wall
Operating Mode	Maintained
Testing System	Manual
Battery	Lithium 2200mAh 3 hour discharge
Classification	C0: D12.5 C90: D8
Viewing Distance	24m
Applicable Standard	AS/NZS2293.3
Lamps	LED 50,000hrs
Operating Temp	1°C to 40°C
Dimensions (mm)	350x220x73
Weight	1.42kg