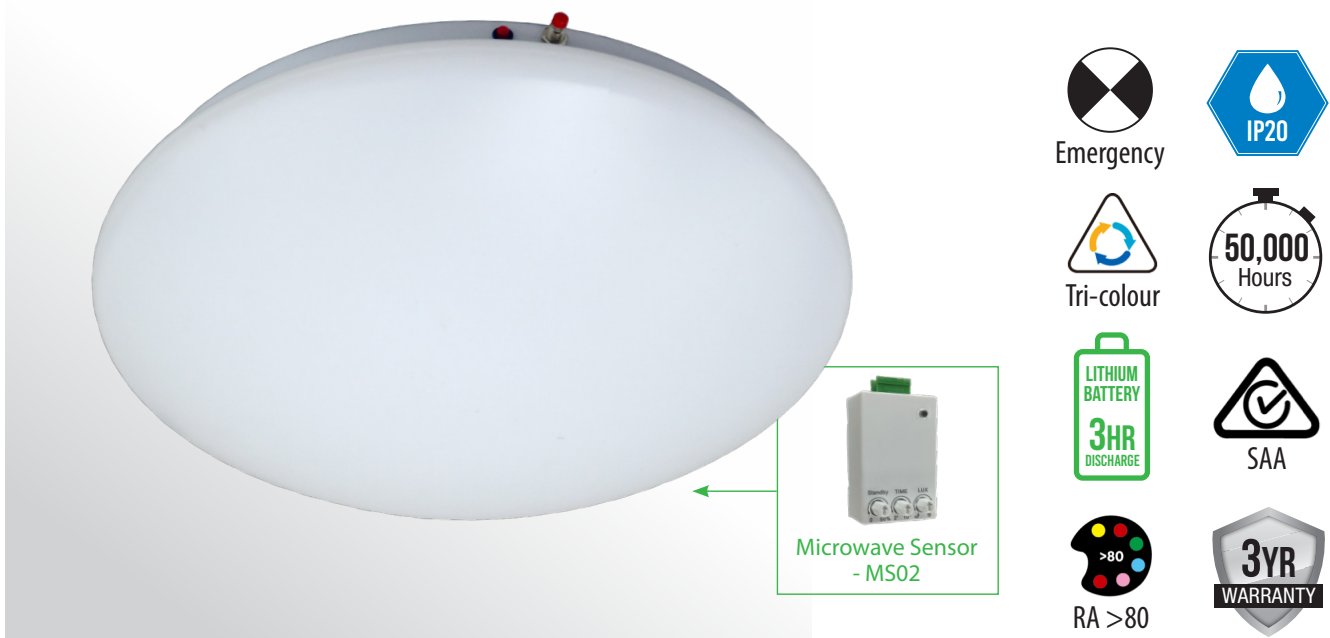


Opal Premium

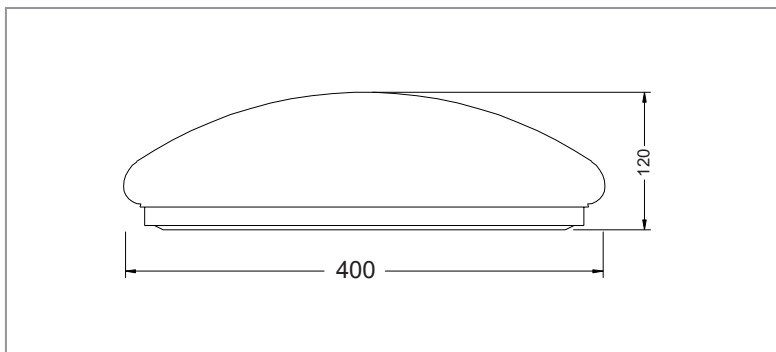
Tri-colour Oyster Emergency Light with optional sensor



FEATURES

- Tri-colour (3000k/4000k/5700k)
- Built-in LED Panel
- Large terminal block for easy installation
- Optional microwave sensor (MS02)
- 1800mAh lithium battery technology

DIMENSIONS



SPECIFICATIONS

Order Code	OPTC30E
Model Number	LWOPTC30E
Input Voltage	240v
Lumen Output	2500lm
IP Rating	IP20
Colour Temp	Tri-colour (3000k, 4000k, 5700k)
Beam Angle	120°
Wattage	30W 4W (Emergency)
CRI	>80
Finish	White
Operating Mode	Maintained
Operating System	Manual Test Switch
Charging Method	Intelligent current limited constant voltage charge
Battery	Lithium 1800mAh
Operating Temp.	1°C to 40°C
AS 2293 Classification	C0=D25 C90=D25
Weight	1.4kg