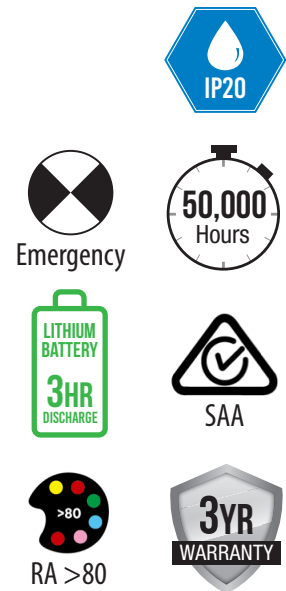
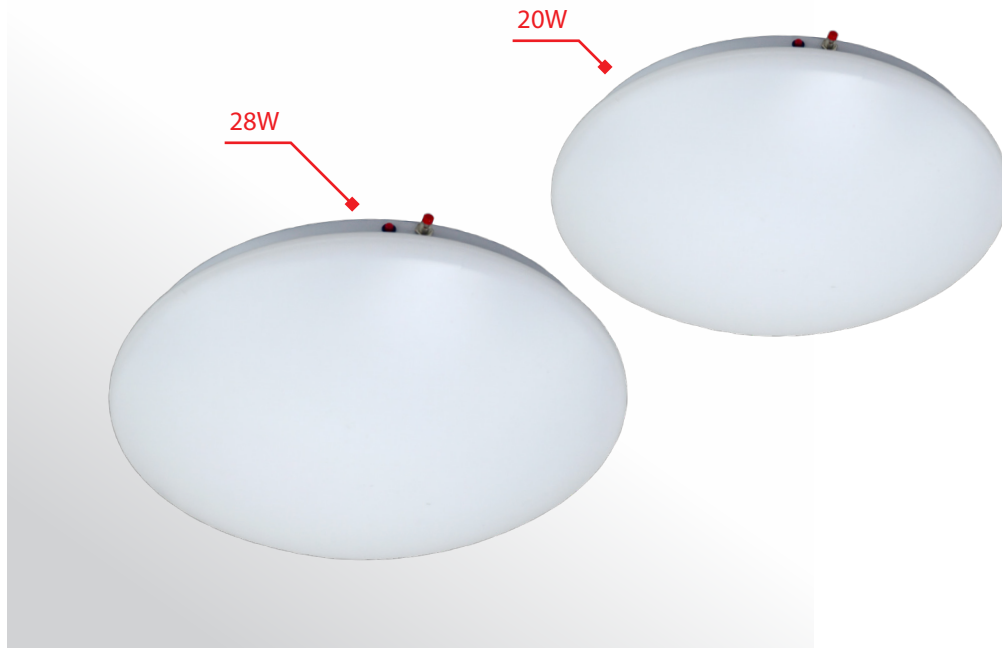


# EMERGENCY OYSTER

TRADELIKE

## Opal

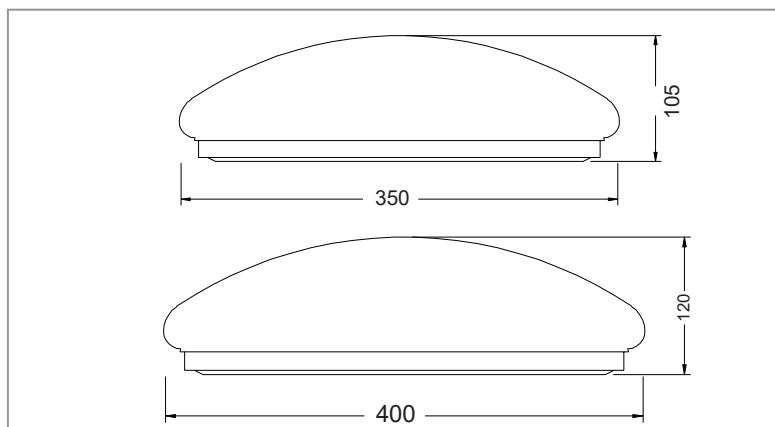
Tri-Colour Oyster Emergency Light



### FEATURES

- Maintained
- 3 hour discharge
- 3 year warranty
- Constant current driver
- 1800mAh lithium battery technology
- Built-in LED panel
- Colour temp 5700k
- Large 6mm terminal block for easy installation
- Designed and manufactured to AS2293.3

### DIMENSIONS



### SPECIFICATIONS

	20W	28W
Order Code	04020E	04028E
Model Number	LW004020E	LW004028E
Input Voltage	240v	
Wattage	20w	28w
Lumen Output	2000lm	2500lm
Colour Temp	5700k	
Beam Angle	120°	
Diffuser	Opal	
Operating Mode	Maintained	
Testing System	Manual	
Battery Type	Lithium 1800mAh 3 hour discharge	
AS2293 Classification	C0=D50 C9=D20	
Applicable Standard	AS/NZS2293.3	
Operating Temp	1°C to 40°C	
Dimensions (mm)	350x105	400x120
Weight	1.5kg	1.8kg