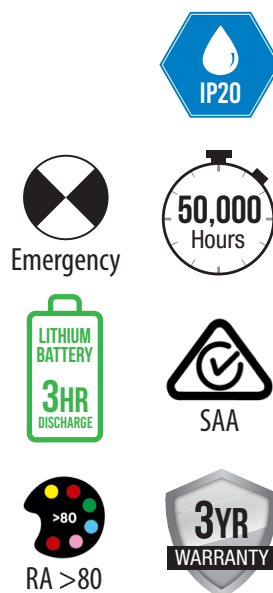


Ufofire

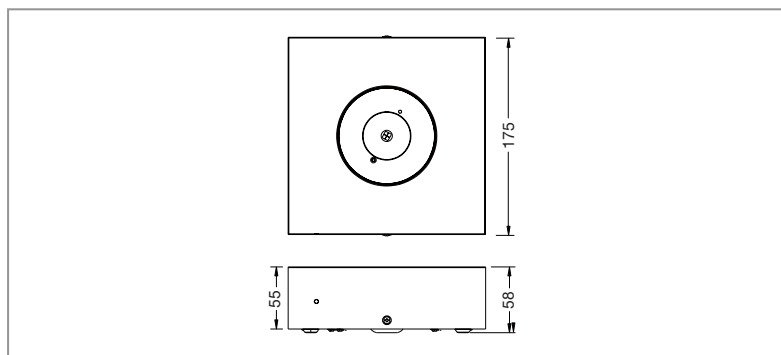
Surface Mount Emergency Downlight



FEATURES

- Low power consumption
- 50,000hr LED - energy efficient, long life
- Quick fit bracket for fast ceiling and wall mount
- Easy testing and maintenance
- Non-maintained
- 3 hour discharge
- 3 year warranty
- Hard-wired
- Designed and manufactured to AS/NZS2293.3

DIMENSIONS



SPECIFICATIONS

Order Code	
- White	E6030S
- Black	E6030SB
Model Number	
- White	LWUF6030S
- Black	LWUF6030SB
Input Voltage	240v
Wattage	3w
Construction	Polycarbonate body with aluminium heat sink
Mounting	Surface mounted
Operating Mode	Maintained
Testing System	Manual
Battery	Lithium 2200mAh 3 hour discharge
AS2293 Classification	D40
Applicable Standard	AS/NZS2293.3
Operating Temp	1°C to 40°C
Dimensions (mm)	175x58
Weight	0.93kg