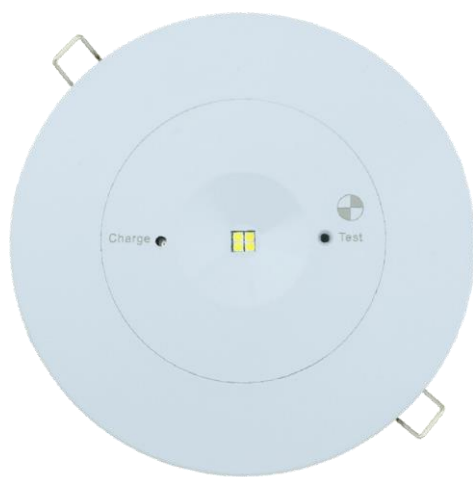


Ufofire

D63 High Power Emergency Downlight



Emergency



RA>80



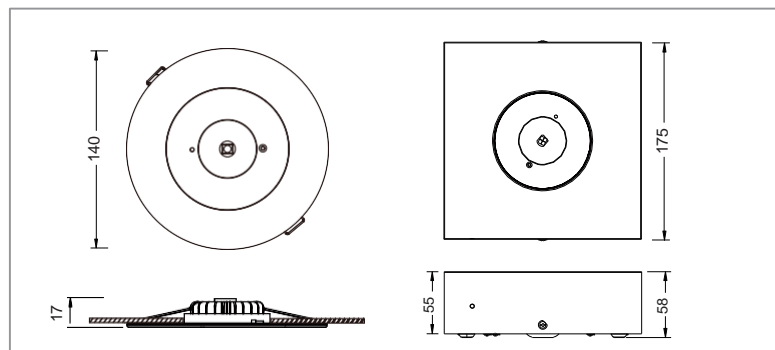
SAA



FEATURES

- Low power consumption
- 50,000hr LED - energy efficient, long life
- Quick fit bracket for fast ceiling and wall mount
- Easy testing and maintenance
- 3 hour discharge
- 3 year warranty
- 1.2m flex and plug
- Designed and manufactured to AS/NZS2293.3 D63
- Dali option available as special order

DIMENSIONS



SPECIFICATIONS

	Recessed	Surface Mount
Order Code	E2111	E2111S
Model Number	LWUF21111	LWUF2111S
Input Voltage	240v	
Wattage	3w	
Construction	Polycarbonate body with aluminium heat sink	
Mounting	Recessed/Mounting	
Operating Mode	Non-Maintained	
Testing System	Manual	
Battery	Lithium 1500mAh 3 hour discharge	
AS2293 Classification	D63	
Applicable Standard	AS/NZS2293.3	
Operating Temp	1°C to 40°C	
Dimensions (mm)	140x17	175x58
Weight	0.45kg	0.93kg