

Jade

Recessed Blade LED Exit Light



Emergency



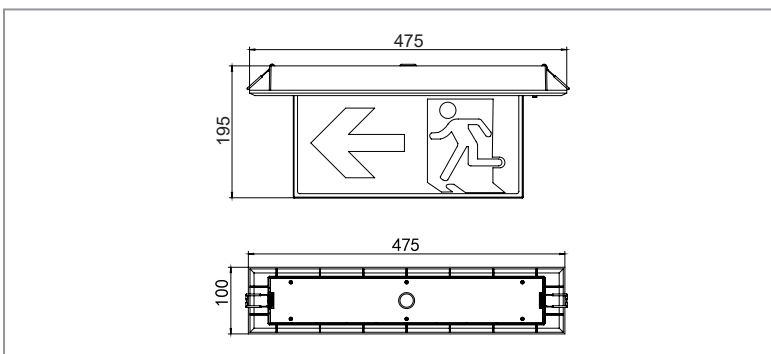
SAA



FEATURES

- Low 3w standby power consumption
- Comes with both single and double sided decals in running man "Pictograph" and the "EXIT" decal
- Large terminal block & cable entry
- Polycarbonate body with transparent acrylic blade
- Maintained
- Manual test switch
- Cutout size - 430x75mm
- 2200mAh lithium battery technology
- Designed and manufactured to AS/NZS2293.3

DIMENSIONS



SPECIFICATIONS

| | |
|---------------------|---|
| Order Code | E1703 |
| Model Number | LWJE1703 |
| Input Voltage | 240v |
| Construction | Polycarbonate body with transparent acrylic blade |
| Mounting | Ceiling |
| Operating Mode | Maintained |
| Testing System | Manual |
| Battery | Lithium 2200mAh 3 hour discharge |
| Classification | C0: D12.5 C90: D8 |
| Viewing Distance | 24m |
| Applicable Standard | AS/NZS2293.3 |
| Lamps | LED 50,000hrs |
| Operating Temp | 1°C to 40°C |
| Dimensions (mm) | 475x195x100 |
| Weight | 1.56kg |