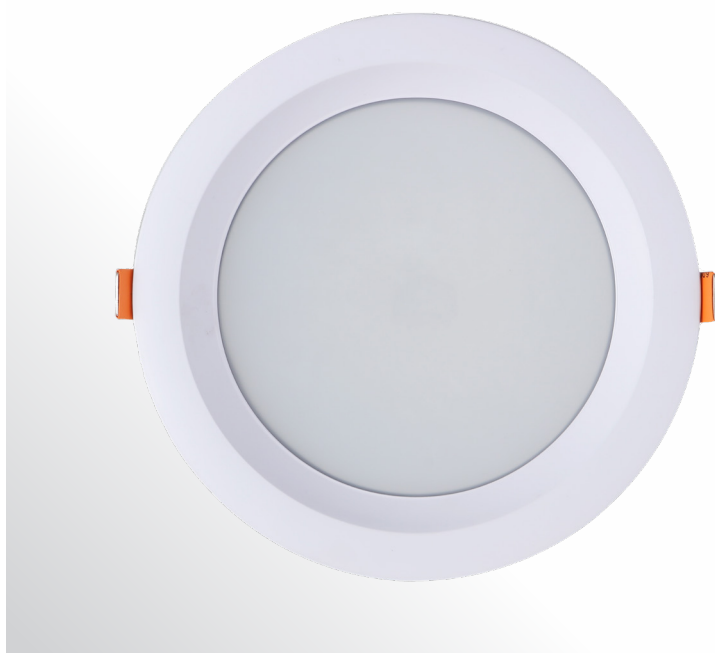


# 8" COMMERCIAL DOWNLIGHT



## Super Sentinel

40w LED Downlight with Sensor and Remote Control



Tri-colour



SAA



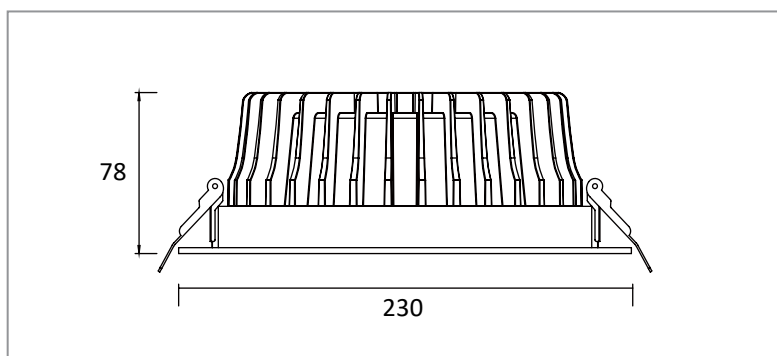
RA >80



### FEATURES

- Die-cast aluminium construction
- 100° beam angle
- Built-in microwave sensor
- Standby & dim function
- Daylight threshold / in-built photocell
- Adjustable duration time, standby time and sensitivity function
- Detection Range:
  - Max. Height: 6m    Detection angle: 30° ~ 150°
  - Max. Detection range: Ø9m at 3m installation height
- Dimmable by remote control
- Child-safe battery design

### DIMENSIONS



### SPECIFICATIONS

Order Code	D40SS
Model Number	TLSSCT40WS
Input Voltage	240v
Lumen Output	3400/3900lm
IP Rating	IP44
Beam Angle	100°
Driver	External driver
Cutout	200mm
Fitting Colour	White
Colour Temp	Tri-colour 3000k/4000k/5700k
Wattage	40w
Dimming Options	Remote control
Flex and Plug	Yes
Body Type	Aluminium
Weight	0.95kg