

# 8" COMMERCIAL DOWNLIGHT



## Super Nova

20/40W Commercial Downlight (180mm cutout)



Tri-colour



SAA



RA >80

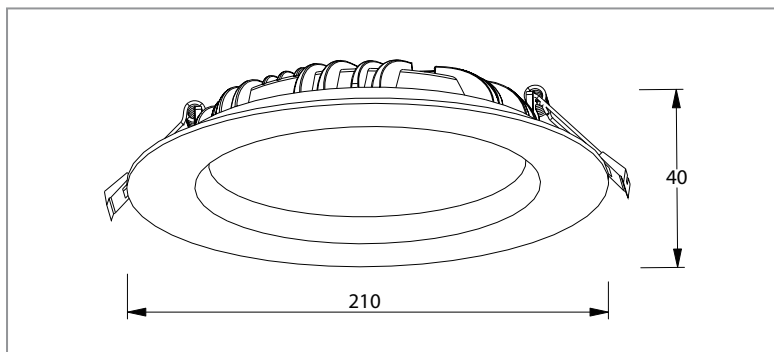


3YR WARRANTY

### FEATURES

- 20/40w switchable
- Die-cast aluminium downlight
- High efficiency SMD chips
- Constant current driver
- Non-dimmable
- 1.2m flex and plug included
- Tri-colour 3000k/4000k/5700k - switchable
- Internal/external IP44 rating

### DIMENSIONS



### SPECIFICATIONS

Order Code	D40
Model Number	AL8SNTC40W
Input Voltage	240v
Lumen Output	2000/4000lm
IP Rating	IP44
Beam Angle	100°
Driver	External driver
Cutout	170-205mm
Fitting Colour	White
Colour Temp	Tri-colour 3000k/4000k/5700k
Wattage	20/40w
Dimming Options	Non-dimming
Flex and Plug	Yes
Body Type	Powder coated die-cast aluminium
Weight	0.33kg