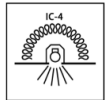


LED DOWNLIGHT

TRADELIKE

Sentinel

11W Tri-Colour Downlight with Remote Control



Tri-colour



SAA



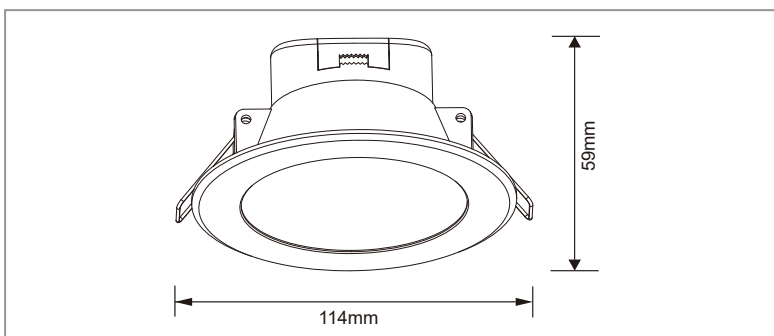
RA >80



FEATURES

- Polyamide body
- 100° beam angle
- Dimmable LED light module / remote control operated
- IP44 rated
- Built-in microwave sensor
- Standby & dim function
- Daylight threshold / in-built photocell
- Adjustable duration time, standby time and sensitivity function
- Detection Range:
 - Max. Height: 6m, Detection angle: 30° ~ 150°
 - Max. Detection range: Ø9m at 3m installation height
- Child-safe battery design

DIMENSIONS



SPECIFICATIONS

Order Code	D11SE
Model Number	TLSETC11WS
Input Voltage	240v
Wattage	11w
Lumen Output	900-950lm
IP Rating	IP44
Beam Angle	100°
Driver	Built-in driver
Cutout	90mm
Fitting Colour	White
Colour Temp	Tri-colour 3000k/4000k/5700k
Dimming Options	Remote control
Flex and Plug	Yes
Body Type	Polyamide
Weight	0.26kg
Gimble/Fixed	Fixed