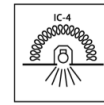


Buddy

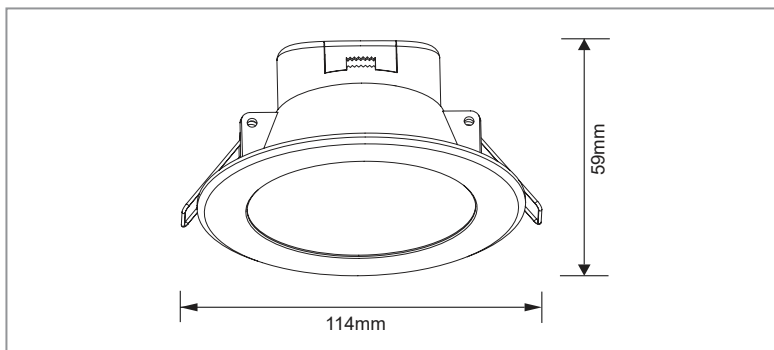
10W 6000k Downlight



■ FEATURES

- Polycarbonate downlight with internal aluminium heat sink
- High efficiency SMD chips
- Constant current driver
- Highly transparent opal polycarbonate diffuser
- Non-dimmable
- Fixed head downlight
- 1.2m flex and plug included
- Colour temp 6000k
- IC-4 rating - can be installed under ceiling insulation
- Internal/external IP44 rating

■ DIMENSIONS



■ SPECIFICATIONS

Order Code	D10
Model Number	TLBU6010W
Input Voltage	240v
Wattage	10w
Lumen Output	900lm
IP Rating	IP44
Beam Angle	100°
Driver	Integral driver
Cutout	90mm
Fitting Colour	White
Colour Temp	6000k
Dimming Options	No
Flex and Plug	Yes
Body Type	Polycarbonate with aluminium heat sink
Gimble/Fixed	Fixed
Weight	0.33kg