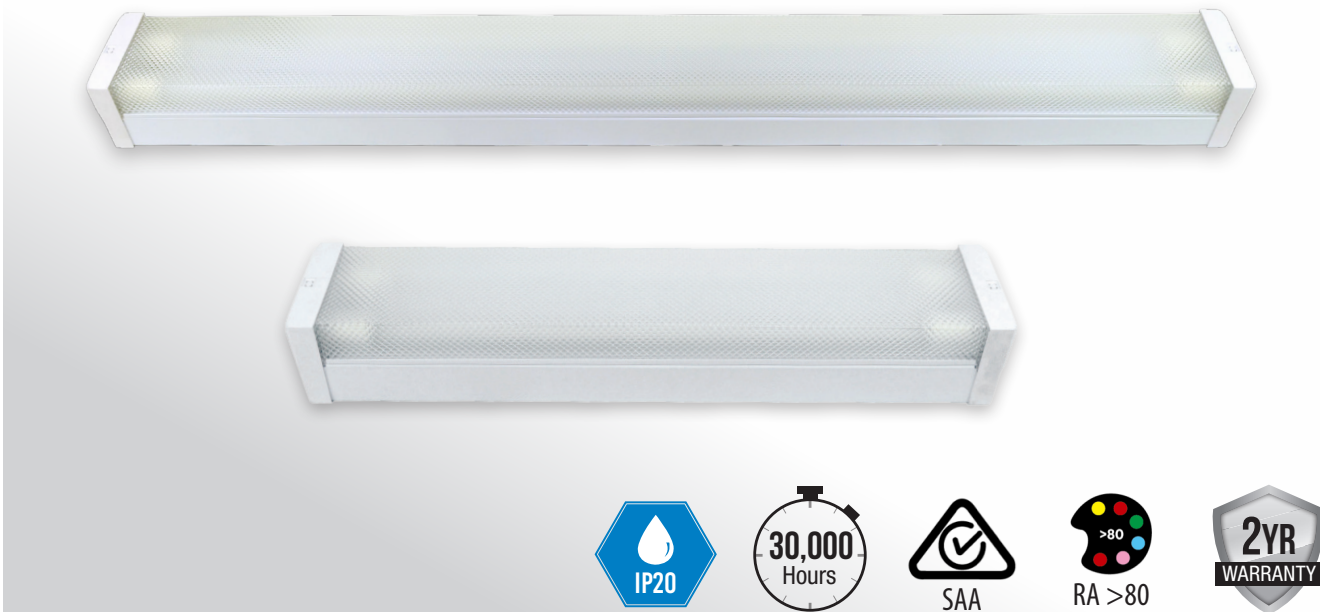


# Battens

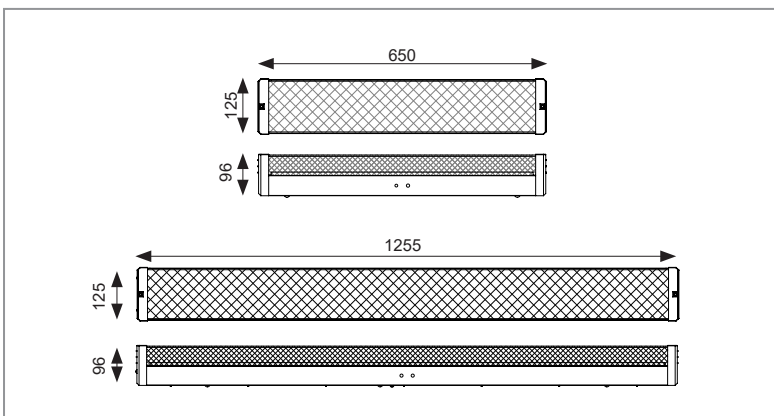
## T8 LED Tube Prismatic Batten



### ■ FEATURES

- Battens feature quality components and superior finish to provide both good looks and reliability
- The batten range is available in standard 240v and matching emergency battens
- The batten range has been developed for applications such as basement car parks, warehouses, fire stairs, commercial public spaces and industrial sites
- Replaceable T8 LED tubes

### ■ DIMENSIONS



### ■ SPECIFICATIONS

	2ft	4ft
Order Code	B210P	B218P
Model Number	LWB210P	LWB218P
Input Voltage	240v	
Wattage	2 x 10w	2 x 18w
Lumen Output	2000lm	3600lm
Beam Angle	100°	
Construction	Powder coated steel body with polycarbonate lamp holders	
Lamps	2 x T8 LED tubes 6000k 10w	2 x T8 LED tubes 6000k 18w
Terminal Block	12mm	
Dimming Options	No	
Dimensions (mm)	650x125x96	1255x125x96
Weight	2.3kg	3.575kg