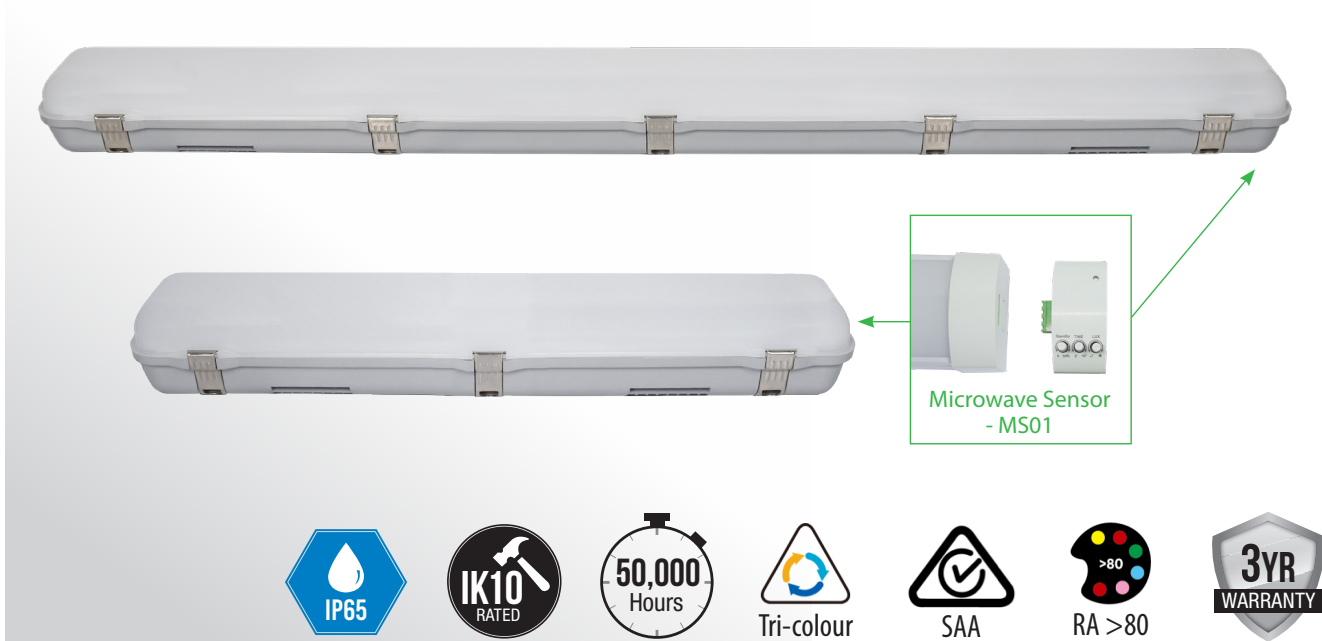


Battens

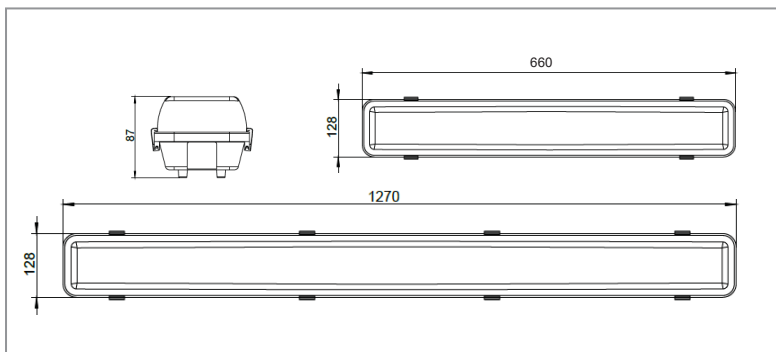
Tri-Colour Weatherproof Batten with Sensor Socket



FEATURES

- 20w/40w power selectable (4 foot only)
- Fitted with large terminal block allowing fast installation and maintenance
- Widebody to cover junction boxes and provides ample space for heat generating components
- Tri-colour 3000k/4000k/6000k - switchable
- 30,000hr LED CCT panel
- Optional microwave sensor (MS01)

DIMENSIONS



SPECIFICATIONS

	2ft	4ft
Order Code	B1903	B1902
Model Number	TL8B1903	TL8B1902
Input Voltage	240v	
Wattage	20w	20w/40w switchable
Lumen Output	2000lm	4000lm
Beam Angle	100°	
Construction	Polycarbonate body and diffuser. Stainless Steel clips and screws.	
Terminal Block	12mm	
Dimming Options	No	
Dimensions (mm)	660x128x87	1270x128x87
Weight	1.38kg	2.5kg