

EMERGENCY STRIP BATTEN

TRADELIKE

Battens

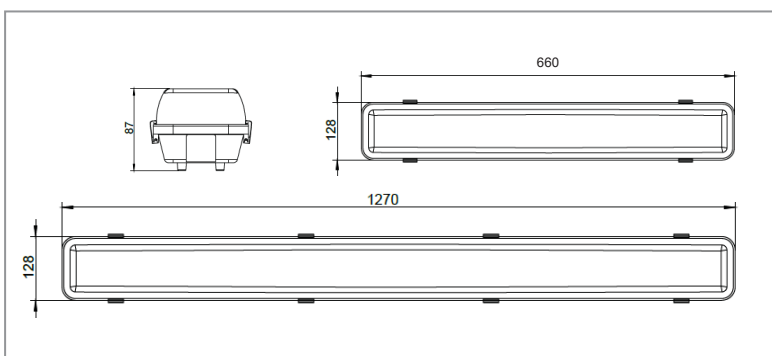
2ft & 4ft Widebody LED Weatherproof Batten Tri-Colour



FEATURES

- 20w/40w power selectable (4 foot only)
- Fitted with large terminal block allowing for fast installation and maintenance
- Wide body to cover junction boxes and provides ample space for heat generating components
- Tri-colour 3000k/4000k/5700k - switchable
- 30,000hr life, LED CCT panel
- Optional microwave sensor (MS01)
- Designed and manufactured to AS/NZS2293.3

DIMENSIONS



SPECIFICATIONS

	2ft	4ft
Order Code	B1903WPE	B1902WPE
Model No.	AL8B1903E	AL8B1902E
Input Voltage	240v	
Wattage	20w 6w (Emergency)	20w/40w switchable 6w (Emergency)
Lumen Output	2000lm	4000lm
Operating Mode	Maintained	
Classification	C0=D63 C90=D20	
Applicable Standard	AS/NZS2293.3	
Battery	1800mAh	
Beam Angle	100°	
Construction	Powder coated steel body with polycarbonate lamp holders & tamper proof stainless steel clips	
Terminal Block	12mm	
Dimensions (mm)	660x128x87	1270x128x87
Weight	2.1kg	4kg